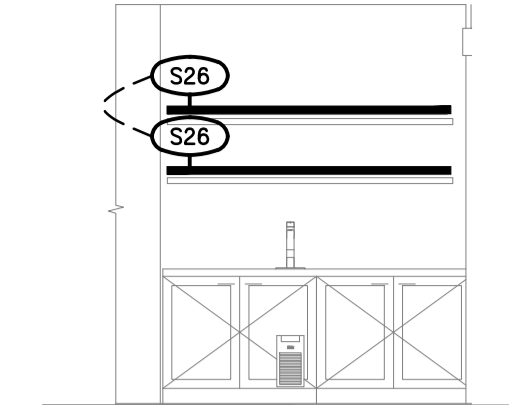
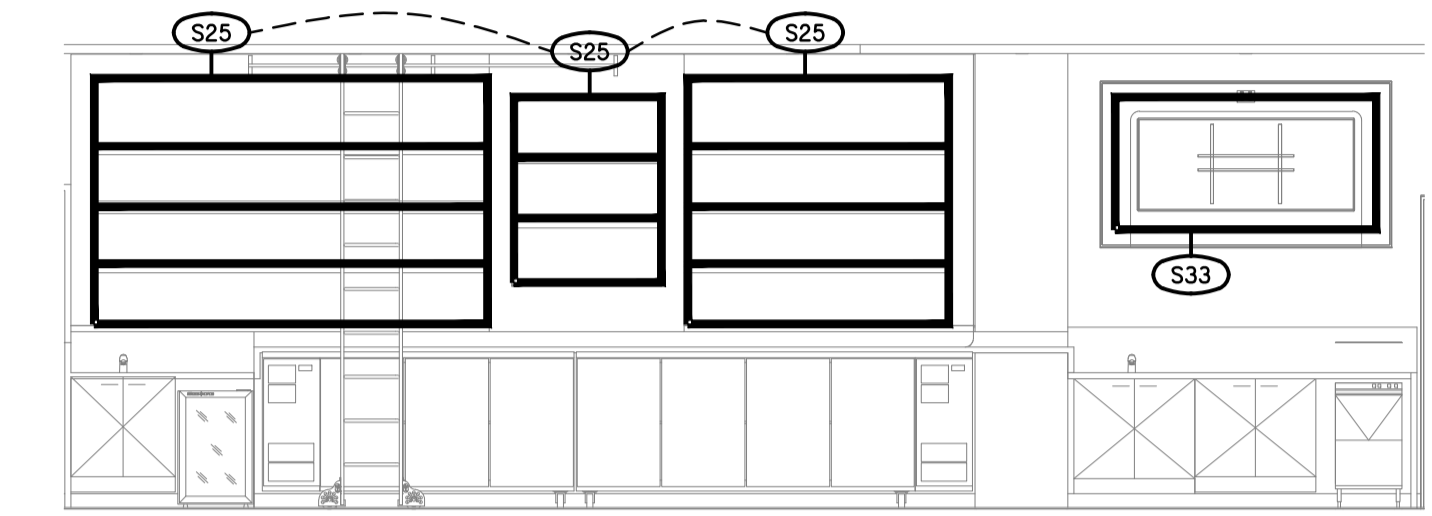


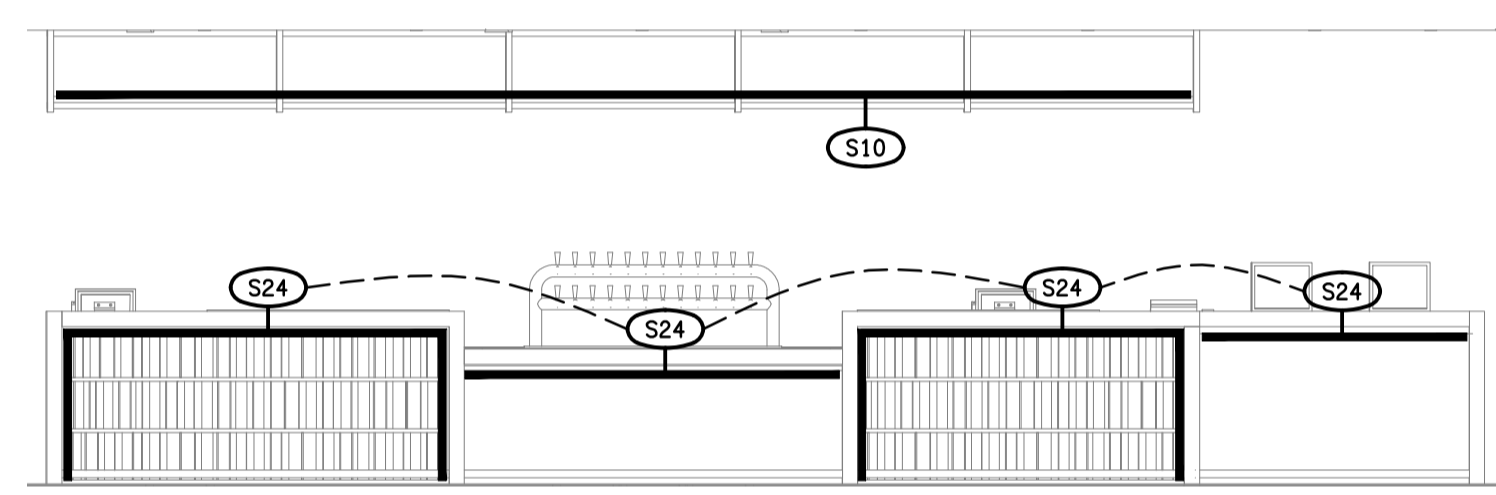
DETAIL B1
CAFE S23 & S25 ELEVATION
SCALE 1:50



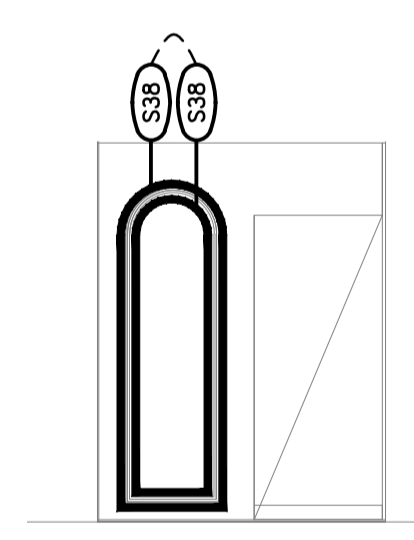
DETAIL B2
CAFE S26 ELEVATION
SCALE 1:50



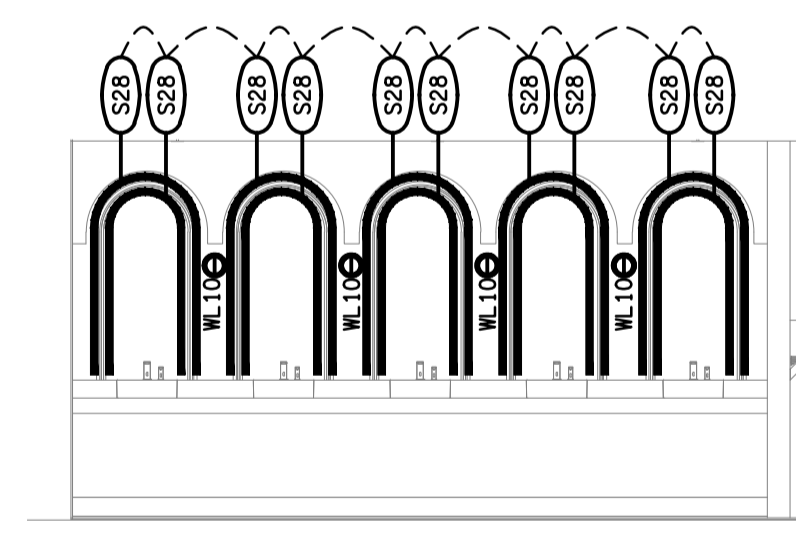
DETAIL B3A
SPORTS BAR S25 ELEVATION
SCALE 1:50



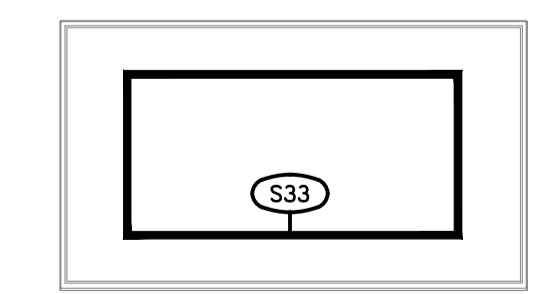
DETAIL B3B
SPORTS BAR S25 ELEVATION
SCALE 1:50



DETAIL B4
FEMALE AMENITIES S38 ELEVATION
SCALE 1:50



DETAIL B5
FEMALE AMENITIES S28 ELEVATION
SCALE 1:50



TYPICAL DETAIL
TV S33 ELEVATION
NOT TO SCALE

B	75% DEVELOPMENT	02/10/2024
REV:	DESCRIPTION:	DATE:

ELECTRICAL DESIGN GROUP
ELECTRICAL BUILDING SERVICES CONSULTANTS

BRISBANE: P.O. Box 15 Sherwood Qld 4075
Phone: (07) 3278 4375
Email: brisbane@edg.net.au
Web: www.edg.net.au

ELECTRICAL DESIGN GROUP BRISBANE PTY LTD ACN 092 710 793
TRADING AS: ELECTRICAL DESIGN GROUP

PROJECT: CABOOLTURE SPORTS CLUB REFRUBISHMENT

SITE ADDRESS: 19-27 STATION ROAD, MORAYFIELD

SCALE: 1:100 UNO SHEET SIZE: AT A1

DRAWING TITLE: ELECTRICAL SERVICES GROUND LEVEL PART B JOINERY & WALL LIGHTING PLAN

PROJECT NO. DRAWING NO. REVISION: C3264a E11 B